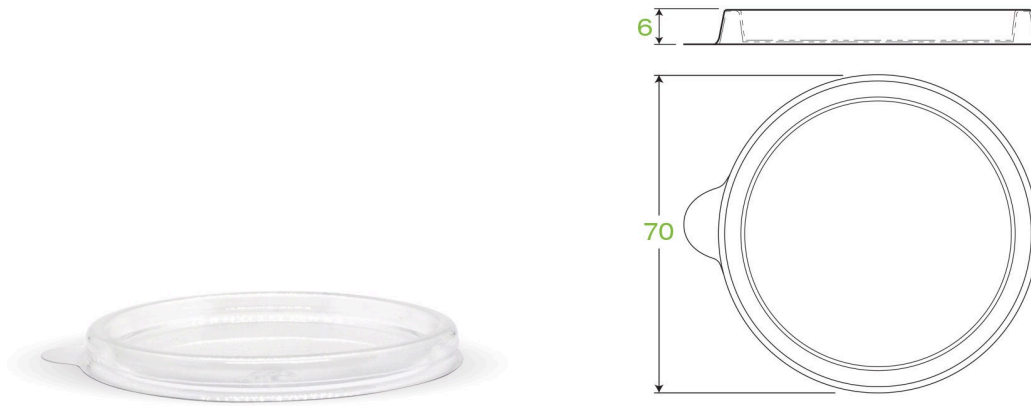


BioCane 60ml Sauce cup PLA Clear Lid B-SCL-60-PLA-UK



Our bioplastic lids are made from 100% renewable resources. Certified industrially compostable. This bioplastic sauce lid fits our 60ml sugarcane sauce cups; it does not fit our clear 60ml PLA bioplastic sauce cup. Note: this lid is cold use only.

| | | |
|---|--|---|
| Carton quantity: 1000 | Sleeves per carton: 20 | Units per sleeve: 50 |
| Carton Size LxWxH (cm): 38.5x31x29 | Carton gross weight (kg): 2.600000 | Raw material: Bioplastic - PLA |
| Lining/coating: None | Window material: None | Inks: None |
| Dimensions top LxW (mm): 72.5x72.5 | Dimensions base LxW (mm): 72.5x72.5 | Product Depth: 6.5 |
| Product weight (g): 1.8 | Use: Cold use only | Manufactured: China |
| Customise: Emboss | MOQ custom: MOQ apply see custom packaging | Mould fees: Yes - see custom packaging |
| Environmental production certified: ISO 14001 | Quality product certified: ISO 9001 | Factory food safety certified: BRC, HACCP |
| Corporate social accreditation: BSCI, SA 8000 | Home compostable: Certified to AS5810 Australian standards, Certified to NF T51-800 European standards, TBC | Industrially compostable: Certified to AS4736 Australian Standards, Certified to EN13432 European Standard |
| Recyclable: No | | |