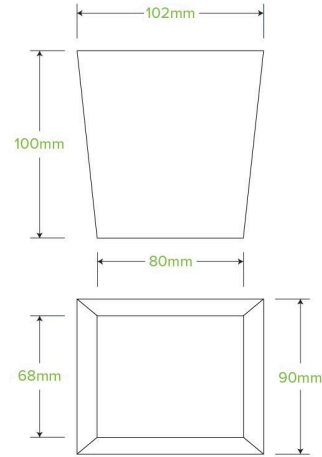


780ml / 26oz BioBoard Noodle Box BB-NB-26-UK



BioBoard Noodle Boxes are made from sustainably sourced FSC™ Mix certified paperboard and lined with waterproof Ingeo™ – a bioplastic product made from plants, not oil. This 26oz noodle box is printed kraft-look. Certified industrially compostable to EN13432.

Carton quantity: 500	Sleeves per carton: 10	Units per sleeve: 50
Carton Size LxWxH (cm): 68.5x27.5x46	Carton gross weight (kg): 12.700000	Raw material: Paper - FSC™ Mix certified paper
Lining/coating: Bioplastic - Ingeo™ PLA	Window material: None	Printing Type: Offset
Inks: Food Contact Safe Inks	Brim fill capacity (ml): 744	Dimensions top LxW (mm): 102x90
Dimensions base LxW (mm): 80x68	Product Depth: 100	Product weight (g): 25.9
Thickness: 270gsm + 30gsm PLA	Use: Hot and cold	Manufactured: China
Customise: Print	MOQ custom: 30000	Mould fees: No
Environmental production certified: ISO 14001	Quality product certified: ISO 9001 pending	Factory food safety certified: ISO 22000
Corporate social accreditation: BSCI	Home compostable: No	Industrially compostable: Certified to AS4736 Australian Standards, Certified to EN13432 European Standard
Recyclable: No		