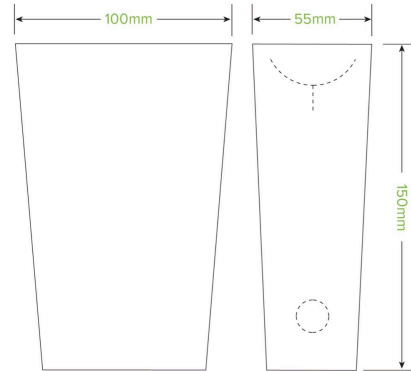


Unlined Large BioBoard Enclosed Chip Box BB-CHIP-L-UK



Enclosed Chip Boxes have a self-closing lid that protects chips during transit. This functional, secure design allows for efficient takeaway that avoids any spillage in takeaway bags. And the added benefit of ventilation holes prevents the chips from going soggy. Home compostable and recyclable if clean. Available in small & large.

Carton quantity: 800	Sleeves per carton: 8	Units per sleeve: 100
Carton Size LxWxH (cm): 66x19x36	Carton gross weight (kg): 9.800000	Raw material: Paper - Recycled Paper Pulp
Lining/coating: No	Window material: None	Printing Type: Offset
Inks: Food Contact Safe Inks	Brim fill capacity (ml): 628	Dimensions top LxW (mm): 100x55
Dimensions base LxW (mm): 75x40	Product Depth: 15	Thickness: 280gsm
Use: Hot, Cold & Dry Products	Manufactured: China	Customise: Yes - Please Contact Our Team For More Information
MOQ custom: TBC	Mould fees: Yes - see custom packaging	Environmental production certified: ISO 14001
Quality product certified: ISO 9001 pending	Factory food safety certified: ISO 22000	Corporate social accreditation: BSCI
Home compostable: Yes	Industrially compostable: Certified to AS4736 Australian Standards, Certified to EN13432 European Standard	Recyclable: Yes - In The Paper Recycling if Not Contaminated With Food