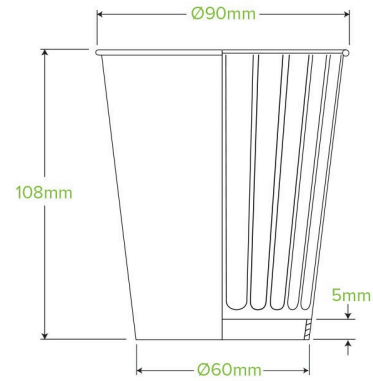


12oz Kraft Double Wall BioCup BCK-12DW-V2-UK



Paper BioCups are made from premium paperboard lined with Ingeo™ bioplastic – made from plants, not oil. BioPak paper cups are certified industrially compostable. This Green Stripe double wall cup fits our large lids.

Carton quantity: 1000	Sleeves per carton: 20	Units per sleeve: 50
Carton Size LxWxH (cm): 46x36.5x49	Carton gross weight (kg): 11.650000	Raw material: Paper
Lining/coating: Bioplastic - Ingeo, PLA	Window material: None	Printing Type: Offset
Inks: Food Contact Safe Inks	Brim fill capacity (ml): 397	Dimensions top LxW (mm): 90x90
Dimensions base LxW (mm): 60x60	Product Depth: 108	Product weight (g): 11.3
Thickness: 285gsm + 35gsm PLA	Use: Hot and cold	Manufactured: Taiwan
Customise: Print	MOQ custom: 50000	Mould fees: No
Quality product certified: ISO 9001	Factory food safety certified: BRC, HACCP	Home compostable: No
Industrially compostable: Certified to AS4736 Australian Standards, Certified to EN13432 European Standard	Recyclable: No	