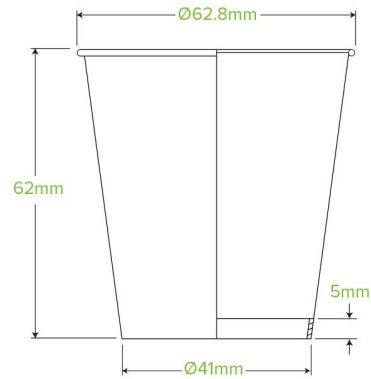


4oz (63mm) Aqueous Single Wall BioCup ABC-4-UK



Aqueous Single Wall BioCups are manufactured using a unique water-based dispersion coating certified home compostable to European standards (NF T51-800). These cups are food safe, odorless, and can be disposed of right in your backyard compost bin!

Carton quantity: 2000	Sleeves per carton: 40	Units per sleeve: 50
Carton Size LxWxH (cm): 51x32.7x35.2	Carton gross weight (kg): 8.400000	Raw material: Paper
Lining/coating: Aqueous	Window material: None	Printing Type: Offset
Inks: Food Contact Safe Inks	Brim fill capacity (ml): 120	Dimensions top LxW (mm): 62.8x62.8
Dimensions base LxW (mm): 41x41	Product Depth: 62	Product weight (g): 4
Thickness: 268gsm + 35gsm	Use: Hot and cold	Manufactured: Taiwan
Customise: Print	MOQ custom: 50000	Mould fees: No
Environmental production certified: ISO 14001	Quality product certified: ISO 9001	Factory food safety certified: BRC, HACCP
Corporate social accreditation: SA 8000	Home compostable: Certified to NF T51-800 European standards	Industrially compostable: Certified to AS4736 Australian Standards, Certified to EN13432 European Standard
Recyclable: No		