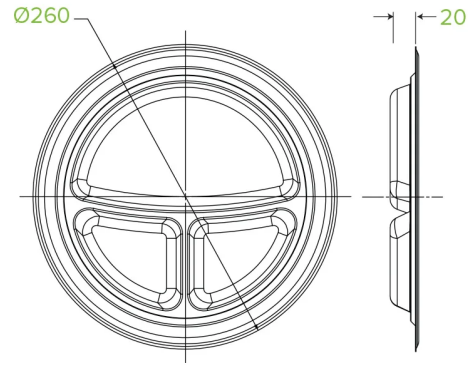


# 25cm / 10" 3-Compartment Round BioCane Plate B-PL-11-UK



Our tree-free plates are made from rapidly renewable sugarcane pulp, a by-product of the sugar refining industry. These 10" bagasse compartment plates are a more eco-friendly alternative to plastic plates or paper plates.

<b>Carton quantity:</b> 500	<b>Sleeves per carton:</b> 4	<b>Units per sleeve:</b> 125
<b>Carton Size LxWxH (cm):</b> 52x27x35	<b>Carton gross weight (kg):</b> 11.200000	<b>Raw material:</b> Bagasse - (100% Sugarcane Pulp)
<b>Use:</b> Hot, Cold, Wet & Dry Products	<b>Customise:</b> Yes - Please Contact Our Team For More Information	<b>MOQ custom:</b> 100000
<b>Home compostable:</b> No	<b>Industrially compostable:</b> No	<b>Recyclable:</b> No