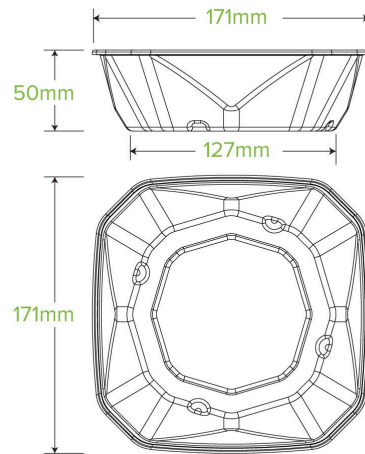


# 750ml Natural BioCane Octagonal Takeaway Base B-SLB-OCTA-750-N-UK



Our 750ml natural Octa takeaways are made from reclaimed and rapidly renewable sugarcane pulp, a by-product made of the sugar refining industry. They have a unique octagonal shape for a premium look and feel.

<b>Carton quantity:</b> 400	<b>Sleeves per carton:</b> 8	<b>Units per sleeve:</b> 50
<b>Carton Size LxWxH (cm):</b> 38x35x38	<b>Carton gross weight (kg):</b> 9.500000	<b>Raw material:</b> Plant Fibre Pulp
<b>Brim fill capacity (ml):</b> 890	<b>Dimensions top LxW (mm):</b> 171 x 171	<b>Dimensions base LxW (mm):</b> 126 x 126
<b>Product Depth:</b> 50	<b>Use:</b> Hot, Cold, Wet & Dry Products	<b>Manufactured:</b> China
<b>Customise:</b> Emboss	<b>MOQ custom:</b> 100000	<b>Mould fees:</b> Yes - see custom packaging
<b>Environmental production certified:</b> ISO 14001	<b>Quality product certified:</b> ISO 9001	<b>Factory food safety certified:</b> BRC, HACCP
<b>Corporate social accreditation:</b> BSCI, SA 8000	<b>Home compostable:</b> No	<b>Industrially compostable:</b> No
<b>Recyclable:</b> No		