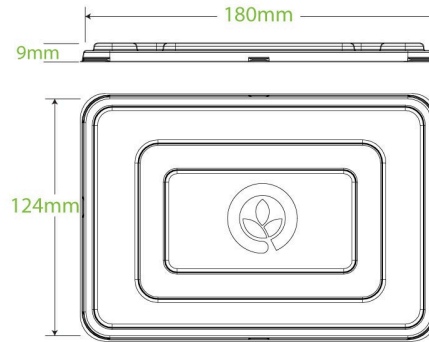


## RPET Lid to Fit 500/600ml BioCane Containers B-LBL-RPET(D) SMALL-UK



Our RPET clear lids are great for packaging cold food. They are not compatible with hot foods, microwave or oven heating. This is the matching lid for the 500 & 600ml sugarcane takeaway container bases. Recyclable in most councils.

|  |   |  |
|--|---|--|
| <b>Carton quantity:</b> 500  | <b>Sleeves per carton:</b> 4  | <b>Units per sleeve:</b> 125   |
| <b>Carton Size LxWxH (cm):</b><br>48x38.9x27.3                     | <b>Carton gross weight (kg):</b> 6.800000                                       | <b>Carton barcode:</b> 19344062033988                                |
| <b>Raw material:</b> Plastic - PET<br>(Polyethylene Terephthalate) | <b>Printing Type:</b> None  | <b>Dimensions top LxW (mm):</b> 180x124                              |
| <b>Dimensions base LxW (mm):</b> 58x58                             | <b>Product Depth:</b> 9   | <b>Product weight (g):</b> 13.5                                      |
| <b>Thickness:</b> N/A  | <b>Use:</b> Hot and cold  | <b>Customise:</b> Yes - Please Contact Our Team For More Information |
| <b>MOQ custom:</b> 100000  | <b>Environmental production certified:</b><br>ISO 14001                         | <b>Quality product certified:</b> ISO 9001                           |
| <b>Factory food safety certified:</b> BRC,<br>HACCP                | <b>Corporate social accreditation:</b> TBC                                      | <b>Home compostable:</b> No  |
| <b>Industrially compostable:</b> No                                | <b>Recyclable:</b> Yes - In The Plastic Recycling if Not Contaminated With Food |  |