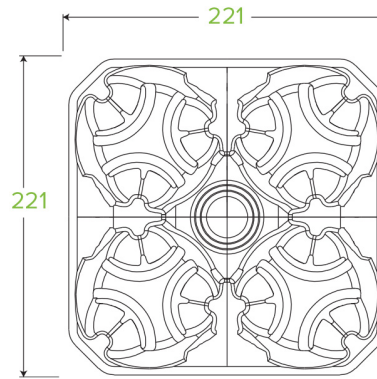


## 4 Cup BioCup Tray B-CC-832-UK



Our 4 cup holder is made from 100% recycled paper pulp. This 4 drink cup carrier is suitable for clear and paper cups from 6oz to 22oz. Home compostable and recyclable.

<b>Carton quantity:</b> 300	<b>Sleeves per carton:</b> 4	<b>Units per sleeve:</b> 75
<b>Carton Size LxWxH (cm):</b> 44.4x44.6x33.7	<b>Carton gross weight (kg):</b> 13.150000	<b>Carton barcode:</b> 19344062000300
<b>Raw material:</b> Paper - Recycled Paper Pulp	<b>Printing Type:</b> None	<b>Dimensions top LxW (mm):</b> 221x221
<b>Product Depth:</b> 46	<b>Product weight (g):</b> 46	<b>Thickness:</b> N/A
<b>Use:</b> Hot and cold	<b>Manufactured:</b> Malaysia	<b>Customise:</b> Unavailable
<b>MOQ custom:</b> N/A	<b>Mould fees:</b> No	<b>Environmental production certified:</b> ISO 14001
<b>Quality product certified:</b> ISO 9001	<b>Factory food safety certified:</b> ISO 22000	<b>Corporate social accreditation:</b> SA 8000
<b>Home compostable:</b> Yes	<b>Industrially compostable:</b> No	<b>Recyclable:</b> Yes - In The Paper Recycling if Not Contaminated With Food