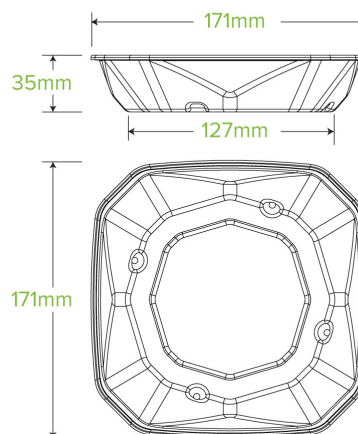


# RT-B-SLB-OCTA-500-N+LID-8X25-UK

## 500ml Natural BioCane Octa Takeaway Base & Lids



These cartons contain 200 x 500ml Natural Octa Takeaway Containers & 200 x PET Lids to match. The bases are made from reclaimed and rapidly renewable sugarcane pulp, a by-product made of the sugar refining industry. The lids are made from recyclable PET. These containers have a unique octagonal shape for a premium look and feel - They are carbon neutral and home compostable and recyclable. PLEASE NOTE THE BELOW SPECIFICATION ONLY APPLIES TO THE BIOCANE BASE.

<b>Carton quantity:</b> 200	<b>Sleeves per carton:</b> 8	<b>Units per sleeve:</b> 25
<b>Carton Size LxWxH (cm):</b> 44.0 x 39.0 x 39.0	<b>Carton gross weight (kg):</b> 8.800000	<b>Carton barcode:</b> 19344062053702
<b>Raw material:</b> Bagasse - Natural (80% sugarcane pulp & 20% bamboo pulp)	<b>Lining/coating:</b> None	<b>Window material:</b> None
<b>Inks:</b> None	<b>Brim fill capacity (ml):</b> 610	<b>Dimensions top LxW (mm):</b> 171mm x 171mm
<b>Dimensions base LxW (mm):</b> 127mm x 127mm	<b>Product Depth:</b> 35.0	<b>Use:</b> Hot, Cold, Wet & Dry Products
<b>Manufactured:</b> China	<b>Customise:</b> None	<b>MOQ custom:</b> N/A
<b>Home compostable:</b> Certified to AS5810 Australian standards, Certified to NF T51-800 European standards	<b>Industrially compostable:</b> Certified to AS4376 Australian Standards, Certified to EN13432 European Standard	<b>Recyclable:</b> Yes - If Not Contaminated By Food