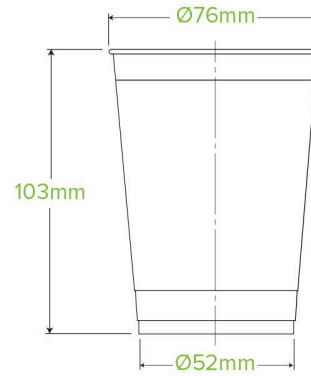


280ml Clear PLA BioCups R-280Y-UK



Our bioplastic cups look and perform like conventional plastic cups but are made from Ingeo™ bioplastic. Our 280ml BioCups are weights and measures approved for alcohol service. Certified industrially compostable. Note: cold use only.

Carton quantity: 2000	Sleeves per carton: 20	Units per sleeve: 100
Carton Size LxWxH (cm): 65.8x40.5x33.1	Carton gross weight (kg): 13.600000	Carton barcode: 19344062000638
Raw material: Bioplastic - PLA	Lining/coating: Bioplastic	Window material: TBC
Printing Type: Offset	Brim fill capacity (ml): 306	Dimensions top LxW (mm): 76x76
Dimensions base LxW (mm): 52x52	Product Depth: 103	Product weight (g): 6.2
Thickness: N/A	Use: Cold, Wet & Dry Products	Manufactured: Taiwan
Customise: Yes - Please Contact Our Team For More Information	MOQ custom: 50000	Mould fees: No
Environmental production certified: ISO 14001	Quality product certified: ISO 9001	Factory food safety certified: HACCP
Corporate social accreditation: SA 8000	Home compostable: No	Industrially compostable: Certified to AS4736 Australian Standards, Certified to EN13432 European Standard
Recyclable: No		