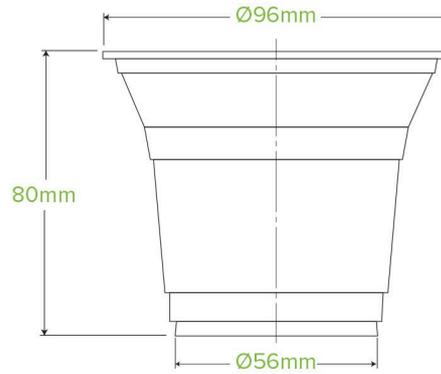


## 300ml Clear PLA BioCups R-300Y-UK



150ml BioCups look and perform like conventional plastic cups but are made from Ingeo™ bioplastic. Certified industrially compostable. Note: cold use only.

<b>Carton quantity:</b> 1000	<b>Sleeves per carton:</b> 20	<b>Units per sleeve:</b> 50
<b>Carton Size LxWxH (cm):</b> 50x39.9x36	<b>Carton gross weight (kg):</b> 9.500000	<b>Carton barcode:</b> 19344062000645
<b>Raw material:</b> Bioplastic - Ingeo™ PLA	<b>Lining/coating:</b> Bioplastic	<b>Window material:</b> TBC
<b>Printing Type:</b> Offset	<b>Inks:</b> TBC	<b>Brim fill capacity (ml):</b> 300
<b>Dimensions top LxW (mm):</b> 96x96	<b>Dimensions base LxW (mm):</b> 56x56	<b>Product Depth:</b> 80
<b>Product weight (g):</b> 8.3	<b>Thickness:</b> N/A	<b>Use:</b> Cold, Wet & Dry Products
<b>Manufactured:</b> Taiwan	<b>Customise:</b> Yes - Please Contact Our Team For More Information	<b>MOQ custom:</b> 50000
<b>Mould fees:</b> No	<b>Environmental production certified:</b> ISO 14001	<b>Quality product certified:</b> ISO 9001
<b>Factory food safety certified:</b> HACCP	<b>Corporate social accreditation:</b> SA 8000	<b>Home compostable:</b> No
<b>Industrially compostable:</b> Certified to AS4736 Australian Standards, Certified to EN13432 European Standard	<b>Recyclable:</b> No	