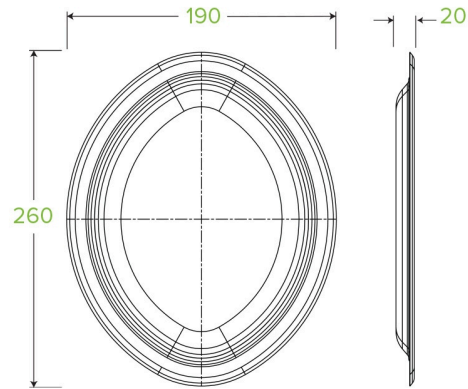


# 10.25x7.75" White Oval BioCane Plates B-PL-16-1-UK



Our plastic-free plates are made from rapidly renewable sugarcane pulp, a by-product of the sugar refining industry. These 10.25x7.75" oval bagasse compartment plates are a more eco-friendly alternative to plastic plates or paper plates.

<b>Carton quantity:</b> 500	<b>Sleeves per carton:</b> 4	<b>Units per sleeve:</b> 125
<b>Carton Size LxWxH (cm):</b> 40x28.3x38.6	<b>Carton gross weight (kg):</b> 9.550000	<b>Carton barcode:</b> 19344062000270
<b>Raw material:</b> Bagasse - (100% Sugarcane Pulp)	<b>Printing Type:</b> None	<b>Dimensions top LxW (mm):</b> 260 x 190
<b>Product Depth:</b> 20	<b>Product weight (g):</b> 17	<b>Thickness:</b> 0.6mm
<b>Use:</b> Hot, Cold, Wet & Dry Products	<b>Customise:</b> Yes - Please Contact Our Team For More Information	<b>MOQ custom:</b> 100000
<b>Environmental production certified:</b> ISO 14001	<b>Quality product certified:</b> ISO 9001	<b>Factory food safety certified:</b> BRC, HACCP
<b>Home compostable:</b> No	<b>Industrially compostable:</b> No	<b>Recyclable:</b> No