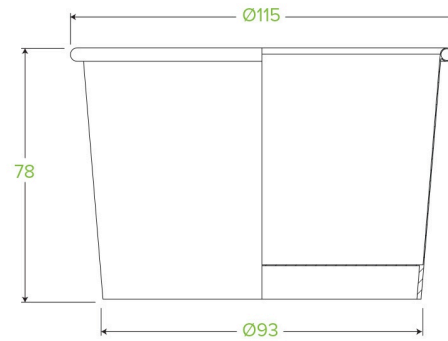


550ml/16oz White Paper PLA-Lined BioBowls BSC-16-UK



16oz white paper bowls are lined with a plant-based bioplastic, not fossil-fuel plastic. Certified industrially compostable. Suitable for hot/cold food and soup-safe.

| | | |
|--|--|--|
| Carton quantity: 500 | Sleeves per carton: 20 | Units per sleeve: 25 |
| Carton Size LxWxH (cm): 58x23.5x54 | Carton gross weight (kg): 7.650000 | Carton barcode: 19344062000447 |
| Raw material: Paper | Lining/coating: PLA Lined | Printing Type: Offset |
| Brim fill capacity (ml): 550 | Dimensions top LxW (mm): 114.6x114.6 | Dimensions base LxW (mm): 8x8 |
| Product Depth: 77 | Product weight (g): 13 | Thickness: 315gsm |
| Use: Hot, Cold, Wet & Dry Products | Customise: Yes - Please Contact Our Team For More Information | MOQ custom: 25000 |
| Environmental production certified: ISO 14001 | Quality product certified: ISO 9001 | Factory food safety certified: BRC, ISO 22000 |
| Corporate social accreditation: SA 8000 | Home compostable: No | Industrially compostable: Yes |
| Recyclable: No | | |