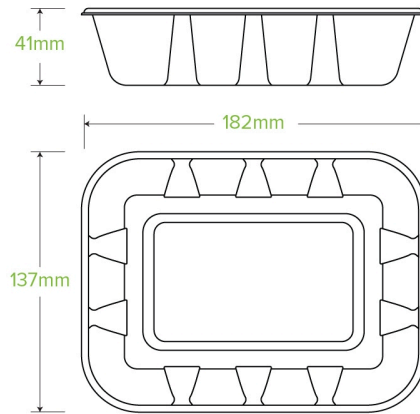


500g Natural BioCane Produce Trays B-TRAY-500G-UK



Packaging made from plants, not plastic! Our 500g bagasse produce trays are an eco-friendly alternative to traditional plastic or styrofoam produce trays and fruit punnets. These plastic-free produce trays are made from rapidly renewable sugarcane pulp, a by-product of the sugar refining industry. Certified home compostable.

Carton quantity: 500	Sleeves per carton: 4	Units per sleeve: 125
Carton Size LxWxH (cm): 39.8x38x29.3	Carton gross weight (kg): 8.650000	Carton barcode: 19344062042393
Raw material: Bagasse - (100% Sugarcane Pulp)	Printing Type: None	Brim fill capacity (ml): 705
Dimensions top LxW (mm): 182x137	Dimensions base LxW (mm): 145x100	Product Depth: 41
Product weight (g): 15.8	Thickness: 0.6mm	Use: Hot, Cold & Dry Products
Customise: Yes - Please Contact Our Team For More Information	MOQ custom: 100000	Environmental production certified: ISO 14001
Quality product certified: ISO 9001	Factory food safety certified: BRC, HACCP	Home compostable: Certified to AS5810 Australian standards, Certified to NF T51-800 European standards
Industrially compostable: Certified to AS4736 Australian Standards, Certified to EN13432 European Standard	Recyclable: Yes - In The Paper Recycling if Not Contaminated With Food	