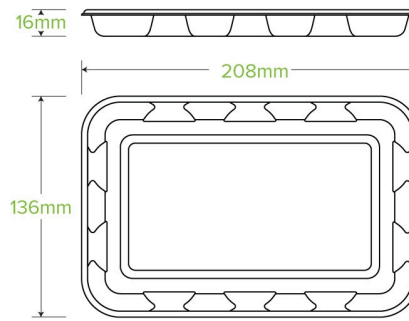


## 8x5" Natural BioCane Produce Trays B-TRAY-8X5-UK



Our tree-free produce trays are made from rapidly renewable sugarcane pulp, a by-product of the sugar refining industry. Our BioCane range is certified home compostable.

<b>Carton quantity:</b> 500	<b>Sleeves per carton:</b> 4	<b>Units per sleeve:</b> 125
<b>Carton Size LxWxH (cm):</b> 42.5x33.7x29.3	<b>Carton gross weight (kg):</b> 7.700000	<b>Carton barcode:</b> 19344062042409
<b>Raw material:</b> Bagasse - (100% Sugarcane Pulp)	<b>Printing Type:</b> None	<b>Dimensions top LxW (mm):</b> 208x136
<b>Dimensions base LxW (mm):</b> 185x115	<b>Product Depth:</b> 16	<b>Product weight (g):</b> 14
<b>Thickness:</b> 0.6mm	<b>Use:</b> Cold & Dry Products	<b>Customise:</b> Yes - Please Contact Our Team For More Information
<b>MOQ custom:</b> 100000	<b>Environmental production certified:</b> ISO 14001	<b>Quality product certified:</b> ISO 9001
<b>Factory food safety certified:</b> BRC, HACCP	<b>Home compostable:</b> Certified to AS5810 Australian standards, Certified to NF T51-800 European standards	<b>Industrially compostable:</b> Certified to AS4736 Australian Standards, Certified to EN13432 European Standard
<b>Recyclable:</b> Yes - In The Paper Recycling if Not Contaminated With Food		