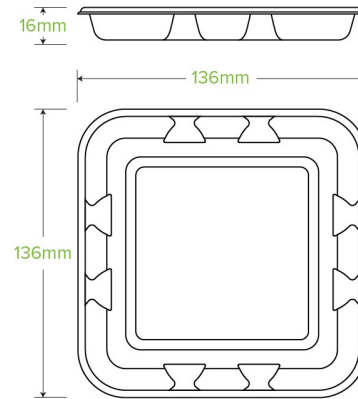


5x5" Natural BioCane Produce Trays B-TRAY-5X5-UK



Packaging made from plants, not plastic! Our 5x5" bagasse produce trays are an eco-friendly alternative to traditional plastic or styrofoam produce trays and fruit punnets. These plastic-free produce trays are made from rapidly renewable sugarcane pulp, a by-product of the sugar refining industry. Certified home compostable.

Carton quantity: 1000	Sleeves per carton: 8	Units per sleeve: 125
Carton Size LxWxH (cm): 56.5x30.8x30.6	Carton gross weight (kg): 9.700000	Carton barcode: 19344062042386
Raw material: Bagasse - (100% Sugarcane Pulp)	Printing Type: None	Dimensions top LxW (mm): 136x136
Dimensions base LxW (mm): 115x115	Product Depth: 16	Product weight (g): 8.8
Thickness: 0.6mm	Use: Hot, Cold & Dry Products	Customise: Yes - Please Contact Our Team For More Information
MOQ custom: 100000	Environmental production certified: ISO 14001	Quality product certified: ISO 9001
Factory food safety certified: BRC, HACCP	Home compostable: Certified to AS5810 Australian standards, Certified to NF T51-800 European standards	Industrially compostable: Certified to AS4736 Australian Standards, Certified to EN13432 European Standard
Recyclable: Yes - In The Paper Recycling if Not Contaminated With Food		