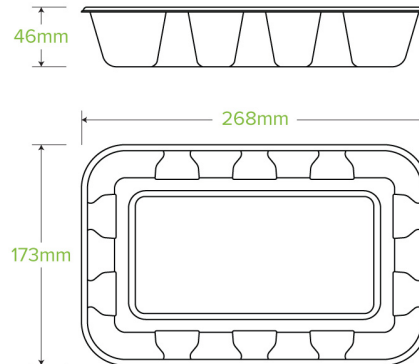
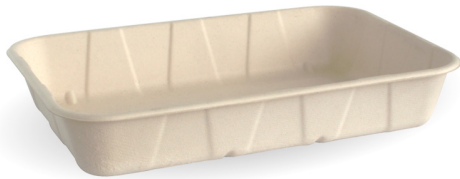


# 1kg BioCane Produce Tray

## B-TRAY-1KG



Our tree-free produce trays are made from rapidly renewable sugarcane pulp, a by-product of the sugar refining industry. Our BioCane range is certified home compostable.

<b>Carton quantity:</b> 500	<b>Sleeves per carton:</b> 4	<b>Units per sleeve:</b> 125
<b>Carton Size LxWxH (cm):</b> 55.0 x 40.0 x 36.0	<b>Carton gross weight (kg):</b> 14.0000	<b>Carton barcode:</b> 19344062042379
<b>Raw material:</b> Bagasse - Natural (70% sugarcane pulp + 30% bamboo pulp)	<b>Lining/coating:</b> None	<b>Window material:</b> None
<b>Inks:</b> None	<b>Brim fill capacity (ml):</b> 1570	<b>Dimensions top LxW (mm):</b> 268x173
<b>Dimensions base LxW (mm):</b> 230x130	<b>Product Height (mm):</b> 46.0	<b>Product weight (g):</b> 30.5
<b>Thickness:</b> 0.6mm	<b>Use:</b> Cold use only	<b>Customise:</b> Emboss
<b>MOQ custom:</b> 100,000	<b>Mould fees:</b> Yes - see custom packaging	<b>Environmental production certified:</b> ISO 14001
<b>Factory food safety certified:</b> BRC, HACCP	<b>Corporate social accreditation:</b> BSCI, Custom Audit	<b>Home compostable:</b> Certified to AS5810 Australian standards, Certified to NF T51-800 European standards
<b>Industrially compostable:</b> Certified to AS4376 Australian standards, Certified to EN13432 European Standard	<b>Recyclable:</b> Yes - in the paper recycling if not contaminated with food	