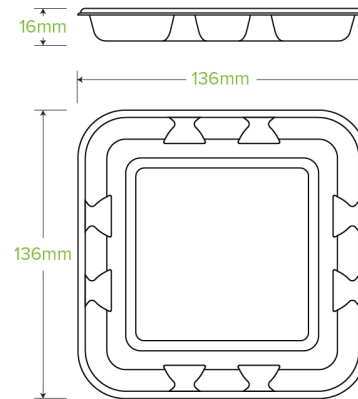


5x5" BioCane Produce Tray B-TRAY-5X5



Our tree-free produce trays are made from rapidly renewable sugarcane pulp, a by-product of the sugar refining industry. Our BioCane range is certified home compostable.

Carton quantity: 1000	Sleeves per carton: 8	Units per sleeve: 125
Carton Size LxWxH (cm): 56.0 x 31.0 x 30.0	Carton gross weight (kg): 10.0000	Carton barcode: 19344062042386
Raw material: Bagasse - Natural (70% sugarcane pulp + 30% bamboo pulp)	Lining/coating: None	Window material: None
Inks: None	Dimensions top LxW (mm): 136x136	Dimensions base LxW (mm): 115x115
Product Height (mm): 16.0	Product weight (g): 8.8	Thickness: 0.6mm
Use: Hot and cold	Customise: Emboss	MOQ custom: 100,000
Mould fees: Yes - see custom packaging	Environmental production certified: ISO 14001	Factory food safety certified: BRC, HACCP
Corporate social accreditation: BSCI, Custom Audit	Home compostable: Certified to AS5810 Australian standards, Certified to NF T51-800 European standards	Industrially compostable: Certified to AS4376 Australian standards, Certified to EN13432 European Standard
Recyclable: Yes - in the paper recycling if not contaminated with food		