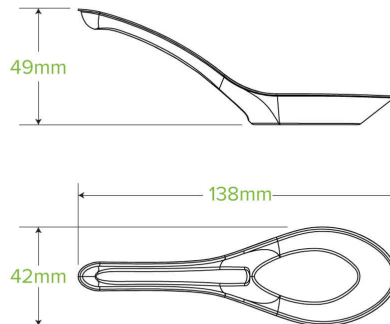


14cm Plant Fibre Chinese Soup Spoons B-14CS-PULP-PF-UK



Our BioCane Chinese soup spoon is made from rapidly renewable sugarcane pulp, a by-product of the sugar refining industry. These spoons have no added PFAS and certified home compostable to NF T51-800 European standards. The increased pulp thickness makes it suitable for hot soups and food.

Carton quantity: 1000	Sleeves per carton: 1	Units per sleeve: 125
Carton Size LxWxH (cm): 44x22x20	Carton gross weight (kg): 5.000000	Raw material: Plant Fibre With No Added PFAS
Lining/coating: None	Window material: None	Printing Type: None
Inks: None	Dimensions top LxW (mm): 138x42	Dimensions base LxW (mm): 138x42
Product Depth: 51.35	Product weight (g): 0.01936	Thickness: 0.6mm
Use: Hot, Cold, Wet & Dry Products	Manufactured: China	Customise: Emboss
MOQ custom: MOQ apply see custom packaging	Mould fees: Yes - see custom packaging	Environmental production certified: ISO 14001
Quality product certified: ISO 9001	Factory food safety certified: BRC	Corporate social accreditation: BSCI
Home compostable: Certified to NF T51-800 European standards	Industrially compostable: Certified to EN13432 European Standard	Recyclable: No