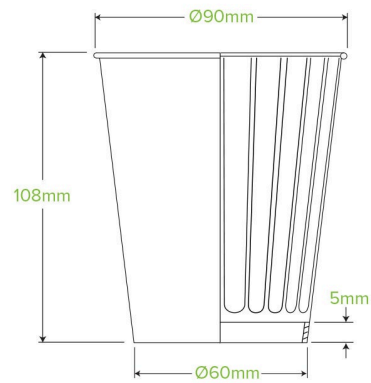


390ml / 12oz (90mm) Kraft Green Stripe Double Wall BioCup

BCK-12DW-GS-UK



Paper BioCups are sustainably sourced from managed plantations with a bioplastic (PLA) lining made from plants not oil. They are industrially compostable to European (EN13432) standards. This 12oz Kraft Green Stripe double wall cup fits our large lids.

Carton quantity: 500	Sleeves per carton: 20	Units per sleeve: 25
Carton Size LxWxH (cm): 46x36.5x48	Carton gross weight (kg): 9.400000	Raw material: Paper
Lining/coating: Bioplastic - Ingeo®, PLA	Window material: None	Inks: Food Contact Safe Inks
Brim fill capacity (ml): 391	Dimensions top LxW (mm): 90x90	Dimensions base LxW (mm): 60x60
Product Depth: 108	Product weight (g): 19.2	Thickness: 285gsm + 35gsm PLA
Use: Hot and cold	Manufactured: China	Customise: Print
MOQ custom: 50000	Mould fees: No	Quality product certified: ISO 9001
Factory food safety certified: BRC, HACCP	Home compostable: No	Industrially compostable: Certified to AS4736 Australian Standards, Certified to EN13432 European Standard
Recyclable: No		