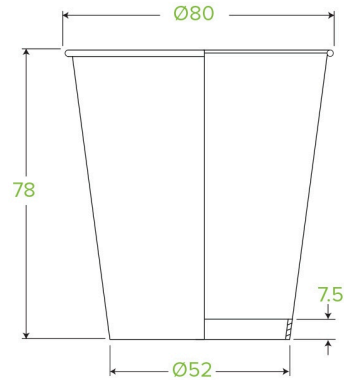


## 230ml / 6oz (80mm) Black Single Wall BioCup BC-6B



6oz Aqueous Single Wall BioCups are manufactured using a unique water-based dispersion coating certified home compostable to Australian standards (AS5810). These cups are food safe, odorless, and can be disposed of right in your backyard compost bin!

<b>Carton quantity:</b> 1000	<b>Sleeves per carton:</b> 20	<b>Units per sleeve:</b> 50
<b>Carton Size LxWxH (cm):</b> 41x33.5x45.5	<b>Carton gross weight (kg):</b> 8.500000	<b>Raw material:</b> Paper
<b>Lining/coating:</b> Aqueous	<b>Window material:</b> None	<b>Printing Type:</b> Offset
<b>Inks:</b> Food Contact Safe Inks	<b>Brim fill capacity (ml):</b> 235	<b>Dimensions top LxW (mm):</b> 80x80
<b>Dimensions base LxW (mm):</b> 51x51	<b>Product Depth:</b> 81	<b>Product weight (g):</b> 5.6
<b>Thickness:</b> 230gsm	<b>Use:</b> Hot & Wet Products	<b>Manufactured:</b> China
<b>Customise:</b> Print	<b>MOQ custom:</b> 100000	<b>Mould fees:</b> Yes - see custom packaging
<b>Environmental production certified:</b> None	<b>Quality product certified:</b> TBC	<b>Factory food safety certified:</b> BRC
<b>Corporate social accreditation:</b> BSCI	<b>Home compostable:</b> Certified to AS5810 Australian standards, Certified to NF T51-800 European standards	<b>Industrially compostable:</b> Certified to AS4736 Australian Standards, Certified to EN13432 European Standard
<b>Recyclable:</b> No		