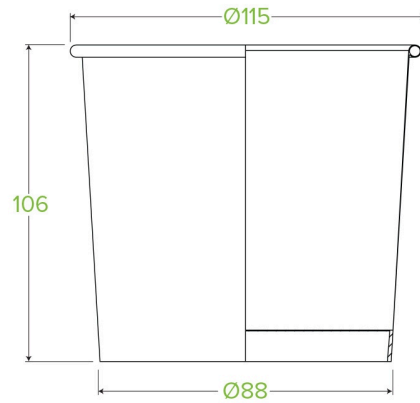


740ml / 24oz White BioBowl BSC-24-V2



Paper BioBowls are sustainably sourced from managed plantations with a bioplastic lining made from plants not oil. Suitable for hot and cold food and liquids.

Carton quantity: 500	Sleeves per carton: 20	Units per sleeve: 25
Carton Size LxWxH (cm): 58x46.5x35.5	Carton gross weight (kg): 9.000000	Raw material: Paper
Lining/coating: Bioplastic - Ingeo™ PLA	Window material: None	Printing Type: Offset
Inks: Food Contact Safe Inks	Brim fill capacity (ml): 780	Dimensions top LxW (mm): 115
Dimensions base LxW (mm): 87	Product Depth: 113	Product weight (g): 16.71
Thickness: 320gsm	Use: Hot and cold	Manufactured: Taiwan
Customise: None	MOQ custom: 25000	Mould fees: No
Environmental production certified: ISO 14001	Quality product certified: ISO 9001	Factory food safety certified: BRC
Corporate social accreditation: SMETA	Home compostable: No	Industrially compostable: Certified to AS4736 Australian Standards, Certified to EN13432 European Standard
Recyclable: No		