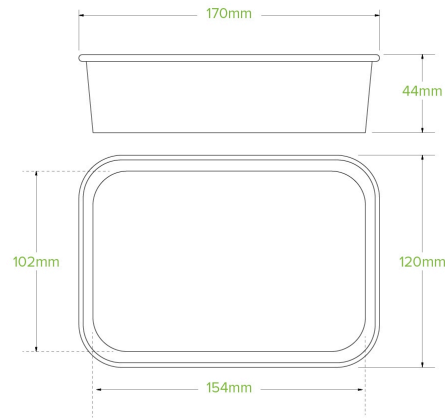


500ml Kraft BioBoard Takeaway Base BB-LB-500-N



500ml White Rectangular Paper Containers are sustainably sourced and made from FSC™ certified paper board. They are lined with a waterbased, waterproof coating. These takeaway containers are perfect for hot and greasy food.

Carton quantity: 300	Sleeves per carton: 6	Units per sleeve: 50
Carton Size LxWxH (cm): 38x36x44	Carton gross weight (kg): 5.500000	Carton barcode: 19344062067655
Raw material: Paper - FSC™ Mix certified paper	Lining/coating: Aqueous	Window material: None
Printing Type: Offset	Inks: Food Contact Safe Inks - Soy or Water Based	Brim fill capacity (ml): 500
Dimensions top LxW (mm): 173	Dimensions base LxW (mm): 121	Product Depth: 41
Product weight (g): 15	Thickness: 320gsm+26g	Use: Hot and cold
Manufactured: China	Customise: Print	MOQ custom: 30000
Mould fees: Yes - see custom packaging	Environmental production certified: ISO 14001	Quality product certified: ISO 9001
Factory food safety certified: BRC	Corporate social accreditation: BSCI	Home compostable: Pending Certification to AS5810 Australian Standards, Pending Certification to NF T51-800 European Standards
Industrially compostable: No	Recyclable: No	