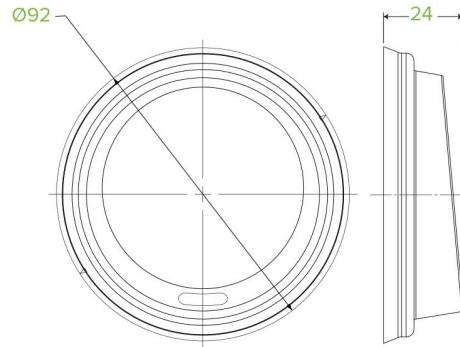


90mm Large Black PLA BioCup Lid BCL-12PLA-B



Our PLA black large cup lids are designed specifically for BioCups, providing a leak-free secure fit every time. These lids are made from Ingeo™ – an ingenious bioplastic made from plants, not oil. Certified industrially compostable. Fits our 90mm diameter BioCups.

Carton quantity: 1000	Sleeves per carton: 20	Units per sleeve: 50
Carton Size LxWxH (cm): 48x38.5x26	Carton gross weight (kg): 4.160000	Carton barcode: 19344062033643
Raw material: Bioplastic - Ingeo™ PLA	Lining/coating: Bioplastic - Ingeo™ PLA	Window material: None
Printing Type: None	Inks: None	Dimensions top LxW (mm): 90
Dimensions base LxW (mm): 83x83	Product Depth: 24	Product weight (g): 3.65
Use: Hot and cold	Manufactured: Taiwan	Customise: None
MOQ custom: N/A	Mould fees: No	Environmental production certified: ISO 14001
Quality product certified: ISO 9001	Factory food safety certified: BRC	Corporate social accreditation: SMETA
Home compostable: No	Industrially compostable: Certified to AS4736 Australian Standards, Certified to EN13432 European Standard	Recyclable: No