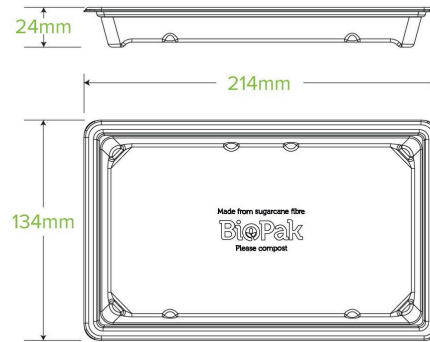


Large Plant Fibre Sushi Tray B-ST-LARGE



Our plastic-free sushi trays are made from rapidly renewable sugarcane pulp, a by-product of the sugar refining industry. Our large, disposable sushi trays are an eco-friendly alternative to plastic sushi trays.

Carton quantity: 600	Sleeves per carton: 6	Units per sleeve: 100
Carton Size LxWxH (cm): 44x32x42.5	Carton gross weight (kg): 10.000000	Carton barcode: 19344062044670
Raw material: Plant Fibre With PFAS	Lining/coating: None	Window material: None
Printing Type: None	Inks: None	Dimensions top LxW (mm): 214
Dimensions base LxW (mm): 134	Product Depth: 24	Product weight (g): 15
Thickness: 0.6mm	Use: Hot, Cold, Wet & Dry Products	Manufactured: China
Customise: Yes - Please Contact Our Team For More Information	MOQ custom: MOQ apply see custom packaging	Mould fees: Yes - see custom packaging
Environmental production certified: ISO 14001	Quality product certified: ISO 9001	Factory food safety certified: BRC
Corporate social accreditation: BSCI	Home compostable: No	Industrially compostable: No
Recyclable: No		