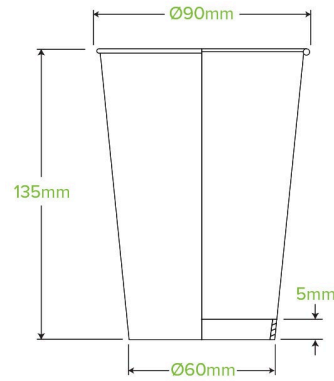


## 510ml / 16oz (90mm) Stone Single Wall BioCup ABC-16



16oz Aqueous Single Wall BioCups are manufactured using a unique water-based dispersion coating certified home compostable to Australian standards (AS5810). These cups are food safe, odorless, and can be disposed of right in your backyard compost bin!

|   |  |   |
|---|--|---|
| <b>Carton quantity:</b> 1000  | <b>Sleeves per carton:</b> 20                        | <b>Units per sleeve:</b> 50   |
| <b>Carton Size LxWxH (cm):</b> 46x37x63.5   | <b>Carton gross weight (kg):</b> 14.000000           | <b>Carton barcode:</b> 19344062062322   |
| <b>Raw material:</b> Paper  | <b>Lining/coating:</b> Aqueous                       | <b>Window material:</b> None  |
| <b>Printing Type:</b> Offset  | <b>Inks:</b> Food Contact Safe Inks                  | <b>Brim fill capacity (ml):</b> 510   |
| <b>Dimensions top LxW (mm):</b> 90x90   | <b>Dimensions base LxW (mm):</b> 59.39x59.39         | <b>Product Depth:</b> 135   |
| <b>Product weight (g):</b> 13   | <b>Thickness:</b> 300gsm                             | <b>Use:</b> Hot and cold  |
| <b>Manufactured:</b> Taiwan   | <b>Customise:</b> Print                              | <b>MOQ custom:</b> MOQ apply see custom packaging   |
| <b>Mould fees:</b> No   | <b>Environmental production certified:</b> ISO 14001 | <b>Quality product certified:</b> ISO 9001  |
| <b>Factory food safety certified:</b> BRC, ISO 22000  | <b>Corporate social accreditation:</b> SA 8000       | <b>Home compostable:</b> Certified to AS5810 Australian standards, Certified to NF T51-800 European standards |
| <b>Industrially compostable:</b> Certified to AS4736 Australian Standards, Certified to EN13432 European Standard | <b>Recyclable:</b> No                                |   |