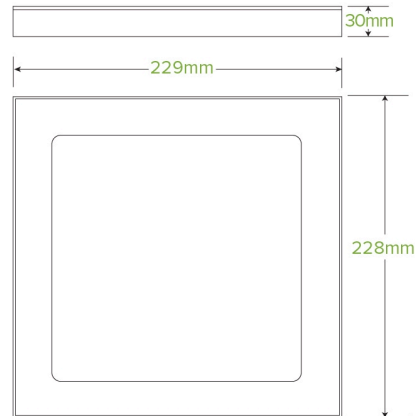


Small BioBoard Catering Tray PLA Window Lid BB-CBWL-S



BioBoard catering tray lid is made from FSC™ certified paperboard. The windowed lid is made from a bioplastic made from plants, not oil, and is certified industrially compostable.

Carton quantity: 100	Sleeves per carton: 1	Units per sleeve: 100
Carton Size LxWxH (cm): 24.5x24.5x26	Carton gross weight (kg): 2.200000	Carton barcode: 19344062058417
Raw material: Paper - FSC™ Recycled	Lining/coating: None	Window material: Bioplastic - PLA
Printing Type: None	Inks: Food Contact Safe Inks - Soy or Water Based	Dimensions top LxW (mm): 229x228
Dimensions base LxW (mm): 229x228	Product Depth: 30	Product weight (g): 10
Thickness: 330gsm	Use: Hot and cold	Manufactured: China
Customise: Yes - Please Contact Our Team For More Information	MOQ custom: 30000	Mould fees: No
Environmental production certified: ISO 14001	Quality product certified: NA	Factory food safety certified: BRC, ISO 22000
Corporate social accreditation: NONE AVAILABLE	Home compostable: No	Industrially compostable: Certified to AS4736 Australian Standards, Certified to EN13432 European Standard
Recyclable: No		