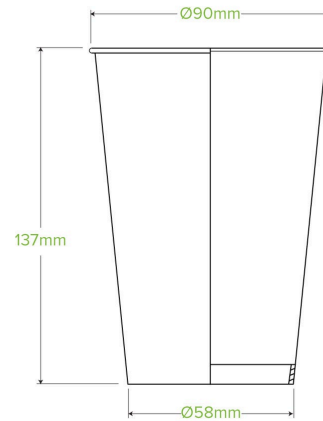


510ml / 16oz (90mm) Leaf Cold Paper BioCup BCC-16



Paper cold cups are lined inside and out with Ingeo™, a bioplastic made from plants, not oil – making them the perfect option for cold drinks. Certified industrially compostable. Available in 4 different colours with compatible lids.

Carton quantity: 1000	Sleeves per carton: 20	Units per sleeve: 50
Carton Size LxWxH (cm): 45.5x36.5x56	Carton gross weight (kg): 14.200000	Carton barcode: 19344062012648
Raw material: Paper	Lining/coating: Bioplastic - Ingeo™ PLA	Window material: None
Printing Type: Flexo	Inks: Food Contact Safe Inks	Brim fill capacity (ml): 510
Dimensions top LxW (mm): 90	Dimensions base LxW (mm): 58	Product Depth: 136
Product weight (g): 11.18	Thickness: 230gsm	Use: Cold use only
Manufactured: China	Customise: None	MOQ custom: 25000
Mould fees: No	Environmental production certified: ISO 14001	Quality product certified: ISO 9001
Factory food safety certified: BRC	Corporate social accreditation: SMETA	Home compostable: No
Industrially compostable: Certified to AS4736 Australian Standards, Certified to EN13432 European Standard	Recyclable: No	