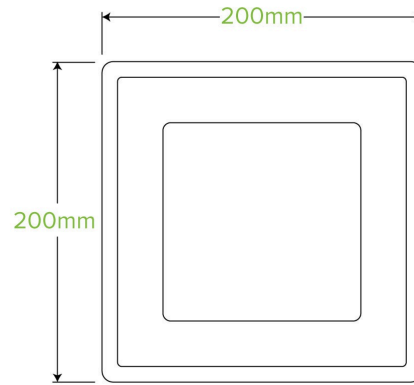


BioPak Product Specifications

B-PL-08-SQUARE

B-PL-08-SQUARE



Our plastic-free plates are made from rapidly renewable sugarcane pulp, a by-product of the sugar refining industry. This 8" white square bagasse plates are a more eco-friendly alternative to plastic plates or paper plates.

Carton quantity: 500	Sleeves per carton: 4	Units per sleeve: 125
Carton Size LxWxH (cm): 42x30x21	Carton gross weight (kg): 11.000000	Carton barcode: 19344062048937
Raw material: Plant Fibre Pulp	Dimensions top LxW (mm): 200x200	Dimensions base LxW (mm): 128x128
Product Depth: 13	Product weight (g): 15	Thickness: 0.6mm
Use: Hot and cold	Manufactured: China	Customise: Emboss
MOQ custom: 100000	Mould fees: Yes - see custom packaging	Environmental production certified: ISO 14001
Quality product certified: ISO 9001	Factory food safety certified: BRC, HACCP	Corporate social accreditation: BSCI, SA 8000
Home compostable: No	Industrially compostable: No	Recyclable: No