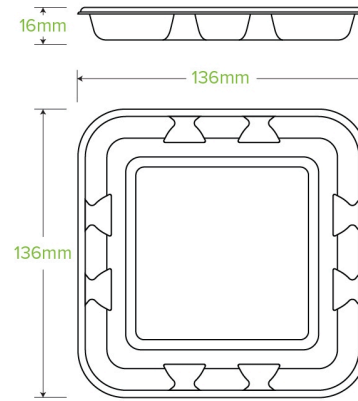


## 14x14x2cm / 5x5" Plant Fibre Produce Tray B-TRAY-5X5



Packaging made from plants, not plastic! Our 5x5" bagasse produce trays are an eco-friendly alternative to traditional plastic or styrofoam produce trays and fruit punnets. These plastic-free produce trays are made from rapidly renewable sugarcane pulp, a by-product of the sugar refining industry. Certified home compostable, made with no added PFAS.

<b>Carton quantity:</b> 1000	<b>Sleeves per carton:</b> 8	<b>Units per sleeve:</b> 125
<b>Carton Size LxWxH (cm):</b> 56x31x30	<b>Carton gross weight (kg):</b> 10.000000	<b>Carton barcode:</b> 19344062042386
<b>Raw material:</b> Plant Fibre With No Added PFAS	<b>Lining/coating:</b> None	<b>Window material:</b> None
<b>Printing Type:</b> None	<b>Inks:</b> None	<b>Dimensions top LxW (mm):</b> 115x115
<b>Dimensions base LxW (mm):</b> 115x115	<b>Product Depth:</b> 16	<b>Product weight (g):</b> 9
<b>Thickness:</b> 0.6	<b>Use:</b> Hot, Cold, Wet & Dry Products	<b>Manufactured:</b> China
<b>Customise:</b> Emboss	<b>MOQ custom:</b> MOQ apply see custom packaging	<b>Mould fees:</b> Yes - see custom packaging
<b>Environmental production certified:</b> ISO 14001	<b>Quality product certified:</b> ISO 9001	<b>Factory food safety certified:</b> BRC
<b>Corporate social accreditation:</b> BSCI, SMETA	<b>Home compostable:</b> Certified to AS5810 Australian standards, Certified to NF T51-800 European standards	<b>Industrially compostable:</b> Certified to AS4736 Australian Standards, Certified to EN13432 European Standard
<b>Recyclable:</b> No		