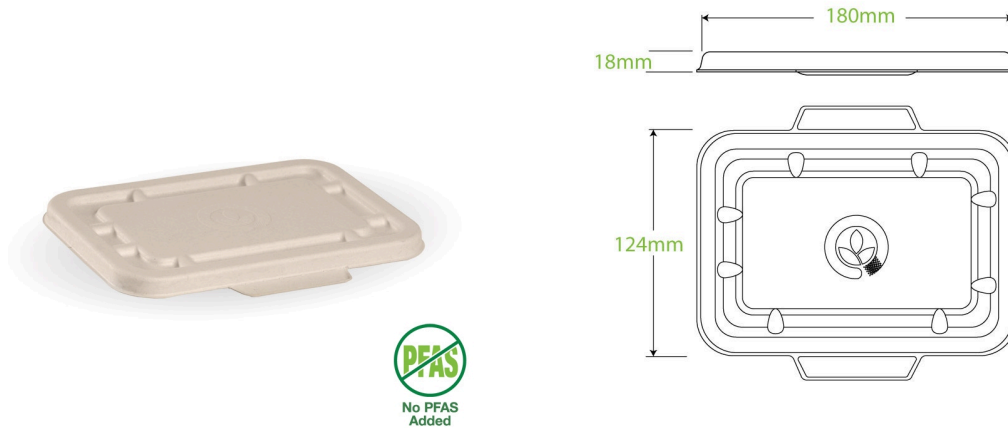


500ml & 600ml Natural Plant Fibre Takeaway Lid B-LBL-N-SMALL



Our plastic-free sugarcane takeaway containers are made from rapidly renewable sugarcane pulp, a by-product of the sugar refining industry. They are microwave and oven safe. These 500ml & 600ml natural bagasse food container lids are certified industrially compostable, made with no added PFAS.

Carton quantity: 500	Sleeves per carton: 4	Units per sleeve: 125
Carton Size LxWxH (cm): 51x34.5x39	Carton gross weight (kg): 7.300000	Carton barcode: 19344062033971
Raw material: Plant Fibre With No Added PFAS	Lining/coating: None	Window material: None
Printing Type: None	Inks: None	Dimensions top LxW (mm): 187
Dimensions base LxW (mm): 164	Product Depth: 17	Product weight (g): 12
Thickness: 0.6mm	Use: Hot, Cold, Wet & Dry Products	Manufactured: China
Customise: Yes - Please Contact Our Team For More Information	MOQ custom: MOQ apply see custom packaging	Mould fees: Yes - see custom packaging
Environmental production certified: ISO 14001	Quality product certified: ISO 9001	Factory food safety certified: BRC
Corporate social accreditation: BSCI	Home compostable: Certified to AS5810 Australian standards, Certified to NF T51-800 European standards	Industrially compostable: Certified to AS4736 Australian Standards, Certified to EN13432 European Standard
Recyclable: No		