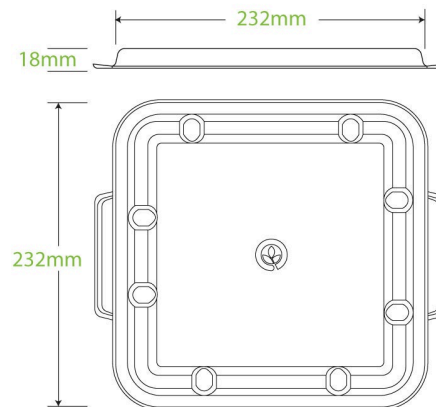


3-Compartment Large Natural Plant Fibre Takeaway Lid B-LBL-3/4/5C-N-LARGE



Our plastic-free sugarcane takeaway containers are made from rapidly renewable sugarcane pulp, a by-product of the sugar refining industry. They are microwave and oven friendly, made with no added PFAS. This lid is suitable for our 3, 4 and 5 food compartment containers.

Carton quantity: 300	Sleeves per carton: 2	Units per sleeve: 150
Carton Size LxWxH (cm): 62x28x49	Carton gross weight (kg): 10.000000	Carton barcode: 19344062033919
Raw material: Plant Fibre With No Added PFAS	Lining/coating: None	Window material: None
Printing Type: None	Inks: None	Dimensions top LxW (mm): 280
Dimensions base LxW (mm): 234	Product Depth: 20	Product weight (g): 30
Thickness: 0.6mm	Use: Hot, Cold, Wet & Dry Products	Manufactured: China
Customise: Yes - Please Contact Our Team For More Information	MOQ custom: MOQ apply see custom packaging	Mould fees: Yes - see custom packaging
Environmental production certified: ISO 14001	Quality product certified: ISO 9001	Factory food safety certified: BRC
Corporate social accreditation: BSCI	Home compostable: Certified to AS5810 Australian standards, Certified to NF T51-800 European standards	Industrially compostable: Certified to AS4736 Australian Standards, Certified to EN13432 European Standard
Recyclable: No		