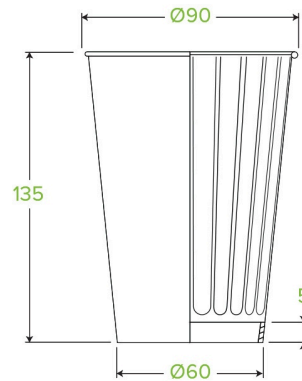


460ml / 16oz (90mm) Kraft Green Stripe Double Wall BioCup BCK-16DW-GS



Paper BioCups are made from premium paperboard lined with a plant-based bioplastic. This cup is printed kraft-look. This 16oz Green Stripe double wall cup fits our large lids.

Carton quantity: 600	Sleeves per carton: 15	Units per sleeve: 40
Carton Size LxWxH (cm): 46.5x28.5x63	Carton gross weight (kg): 13.000000	Carton barcode: 19344062001116
Raw material: Paper	Lining/coating: Bioplastic - Ingeo PLA	Window material: None
Printing Type: Offset	Inks: Food Contact Safe Inks	Brim fill capacity (ml): 464
Dimensions top LxW (mm): 90x90	Dimensions base LxW (mm): 60x60	Product Depth: 136
Product weight (g): 22.562	Thickness: 285gsm + 35gsm PLA	Use: Hot and cold
Manufactured: Taiwan	Customise: Print	MOQ custom: 50000
Mould fees: No	Quality product certified: ISO 9001	Factory food safety certified: BRC, HACCP
Home compostable: No	Industrially compostable: Certified to AS4736 Australian Standards, Certified to EN13432 European Standard	Recyclable: No