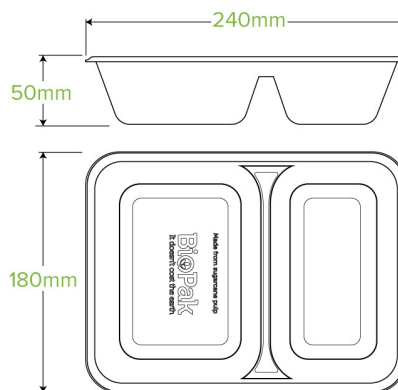


2-Compartment Natural Plant Fibre Takeaway Base B-LB-2C-N



Our plastic-free sugarcane compartment containers are made from rapidly renewable sugarcane pulp, a by-product of the sugar refining industry. This 2-compartment natural food container base is microwave and oven friendly.

Carton quantity: 500	Sleeves per carton: 4	Units per sleeve: 125
Carton Size LxWxH (cm): 49x36x38.5	Carton gross weight (kg): 13.500000	Carton barcode: 19344062032998
Raw material: Plant Fibre With PFAS	Lining/coating: None	Window material: None
Printing Type: None	Inks: None	Brim fill capacity (ml): 1230
Dimensions top LxW (mm): 240	Dimensions base LxW (mm): 180	Product Depth: 48
Product weight (g): 25	Thickness: 0.6mm	Use: Hot, Cold, Wet & Dry Products
Manufactured: China	Customise: Yes - Please Contact Our Team For More Information	MOQ custom: MOQ apply see custom packaging
Mould fees: Yes - see custom packaging	Environmental production certified: ISO 14001	Quality product certified: ISO 9001
Factory food safety certified: BRC	Corporate social accreditation: BSCI	Home compostable: No
Industrially compostable: No	Recyclable: No	