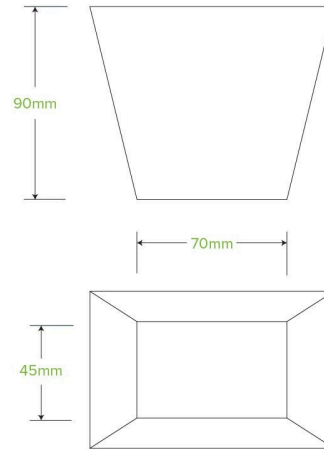


Chip BioBoard Box

BB-CHIP BOX



BioPak paperboard chip boxes are made from recycled paper with no lining. These hot chip boxes are home compostable.

| | | |
|--|---|--|
| Carton quantity: 500 | Sleeves per carton: 10 | Units per sleeve: 50 |
| Carton Size LxWxH (cm): 53.5x24x38 | Carton gross weight (kg): 8.400000 | Carton barcode: 19344062023866 |
| Raw material: Paper | Lining/coating: None | Window material: None |
| Printing Type: None | Inks: None | Brim fill capacity (ml): 455 |
| Dimensions top LxW (mm): 113x70 | Dimensions base LxW (mm): 70x45 | Product Depth: 90 |
| Product weight (g): 12 | Thickness: 350gsm | Use: Hot & Wet Products |
| Manufactured: China | Customise: Print | MOQ custom: 50000 |
| Mould fees: Yes - see custom packaging | Environmental production certified: None | Quality product certified: ISO 9001 |
| Factory food safety certified: BRC | Corporate social accreditation: BSCI | Home compostable: Suitable for composting |
| Industrially compostable: Suitable for composting | Recyclable: No | |