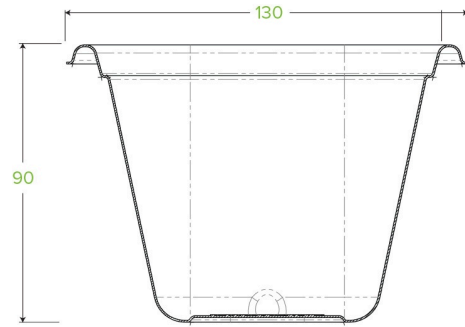


## 630ml Natural Plant Fibre Takeaway Base B-SLB-630-N



Our plastic-free sugarcane takeaway containers are made from rapidly renewable sugarcane pulp, a by-product of the sugar refining industry. They are microwave and oven friendly.

<b>Carton quantity:</b> 600	<b>Sleeves per carton:</b> 12	<b>Units per sleeve:</b> 50
<b>Carton Size LxWxH (cm):</b> 46.5x39.5x26.5	<b>Carton gross weight (kg):</b> 16.000000	<b>Carton barcode:</b> 19344062009174
<b>Raw material:</b> Plant Fibre With PFAS	<b>Lining/coating:</b> None	<b>Window material:</b> None
<b>Printing Type:</b> None	<b>Inks:</b> None	<b>Brim fill capacity (ml):</b> 630
<b>Dimensions top LxW (mm):</b> 130x130	<b>Dimensions base LxW (mm):</b> 70.4x70.4	<b>Product Depth:</b> 90
<b>Product weight (g):</b> 15	<b>Thickness:</b> 0.6	<b>Use:</b> Hot and cold
<b>Manufactured:</b> China	<b>Customise:</b> Emboss	<b>MOQ custom:</b> 100000
<b>Mould fees:</b> Yes - see custom packaging	<b>Environmental production certified:</b> ISO 14001	<b>Quality product certified:</b> ISO 9001
<b>Factory food safety certified:</b> BRC, ISO 22000	<b>Corporate social accreditation:</b> BSCI	<b>Home compostable:</b> No
<b>Industrially compostable:</b> No	<b>Recyclable:</b> No	