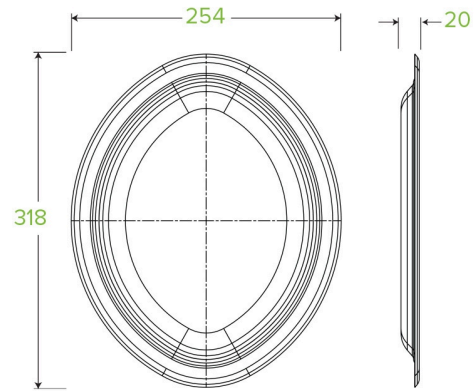


# 32x25cm / 12.5x10" Oval Plant Fibre Plate B-PL-16-2



Our plastic-free plates are made from rapidly renewable sugarcane pulp, a by-product of the sugar refining industry. This 12.5x10" oval bagasse compartment plates are a more eco-friendly alternative to plastic plates or paper plates.

<b>Carton quantity:</b> 500	<b>Sleeves per carton:</b> 4	<b>Units per sleeve:</b> 125
<b>Carton Size LxWxH (cm):</b> 52x35x35	<b>Carton gross weight (kg):</b> 15.000000	<b>Carton barcode:</b> 19344062000287
<b>Raw material:</b> Plant Fibre With PFAS	<b>Lining/coating:</b> None	<b>Window material:</b> None
<b>Printing Type:</b> None	<b>Inks:</b> None	<b>Dimensions top LxW (mm):</b> 520
<b>Dimensions base LxW (mm):</b> 330	<b>Product Depth:</b> 350	<b>Product weight (g):</b> 28
<b>Thickness:</b> 0.6mm	<b>Use:</b> Hot, Cold, Wet & Dry Products	<b>Manufactured:</b> China
<b>Customise:</b> Yes - Please Contact Our Team For More Information	<b>MOQ custom:</b> MOQ apply see custom packaging	<b>Mould fees:</b> Yes - see custom packaging
<b>Environmental production certified:</b> ISO 14001	<b>Quality product certified:</b> ISO 9001	<b>Factory food safety certified:</b> BRC
<b>Corporate social accreditation:</b> BSCI	<b>Home compostable:</b> No	<b>Industrially compostable:</b> No
<b>Recyclable:</b> No		