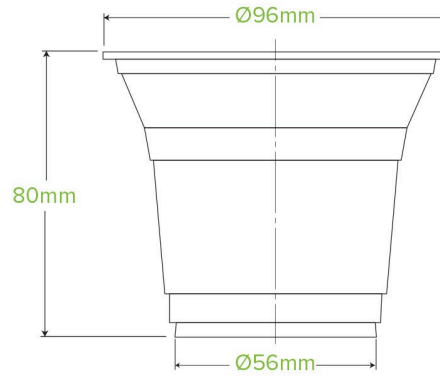


## 300ml Clear BioCup R-300Y



300ml BioCups look and perform like conventional plastic cups but are made from bioplastic. Certified industrially compostable. Cold use only.

<b>Carton quantity:</b> 1000	<b>Sleeves per carton:</b> 20	<b>Units per sleeve:</b> 50
<b>Carton Size LxWxH (cm):</b> 49.5x39.9x36.5	<b>Carton gross weight (kg):</b> 9.500000	<b>Carton barcode:</b> 19344062000645
<b>Raw material:</b> Bioplastic - PLA	<b>Lining/coating:</b> None	<b>Window material:</b> None
<b>Printing Type:</b> Offset	<b>Inks:</b> Food Contact Safe Inks	<b>Brim fill capacity (ml):</b> 300
<b>Dimensions top LxW (mm):</b> 96x96	<b>Dimensions base LxW (mm):</b> 56x56	<b>Product Depth:</b> 80
<b>Product weight (g):</b> 9.051	<b>Use:</b> Cold use only	<b>Manufactured:</b> Taiwan
<b>Customise:</b> Print	<b>MOQ custom:</b> 50000	<b>Mould fees:</b> Yes - see custom packaging
<b>Environmental production certified:</b> ISO 14001	<b>Quality product certified:</b> ISO 9001	<b>Factory food safety certified:</b> FSSC 22000
<b>Corporate social accreditation:</b> NONE AVAILABLE	<b>Home compostable:</b> No	<b>Industrially compostable:</b> Certified to AS4736 Australian Standards, Certified to EN13432 European Standard
<b>Recyclable:</b> No		