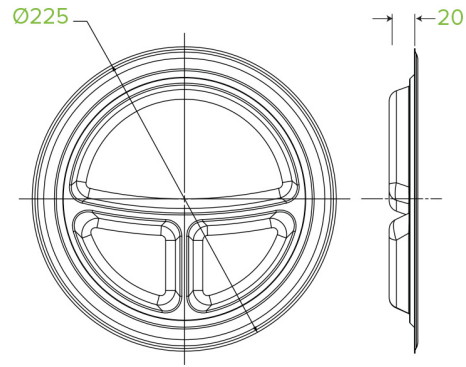


23cm / 9" 3-Compartment Round Plant Fibre Plate B-PL-93



Our plastic-free plates are made from rapidly renewable sugarcane pulp, a by-product of the sugar refining industry. These 9" bagasse compartment plates are a more eco-friendly alternative to plastic plates or paper plates.

Carton quantity: 500	Sleeves per carton: 4	Units per sleeve: 125
Carton Size LxWxH (cm): 46x32x23.5	Carton gross weight (kg): 8.500000	Carton barcode: 19344062000249
Raw material: Plant Fibre With PFAS	Lining/coating: None	Window material: None
Printing Type: None	Inks: None	Dimensions top LxW (mm): 225x225
Dimensions base LxW (mm): 170x170	Product Depth: 19.6	Product weight (g): 15
Thickness: 0.5	Use: Hot and cold	Manufactured: China
Customise: Emboss	MOQ custom: 100000	Mould fees: Yes - see custom packaging
Environmental production certified: ISO 14001	Quality product certified: ISO 9001	Factory food safety certified: BRC, ISO 22000
Corporate social accreditation: BSCI	Home compostable: No	Industrially compostable: No
Recyclable: No		