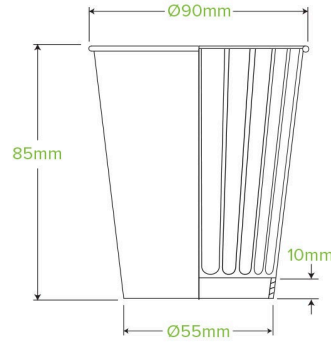


## 295ml / 8oz (90mm) White Double Wall BioCup BC-8DWW(90)



Paper BioCups are made from premium paperboard lined with Ingeo™ bioplastic – made from plants, not oil. BioPak paper cups are certified industrially compostable. This 8oz (90mm) White BioCup fits our large lids.

<b>Carton quantity:</b> 1000	<b>Sleeves per carton:</b> 20	<b>Units per sleeve:</b> 50
<b>Carton Size LxWxH (cm):</b> 46.5x37.5x60.5	<b>Carton gross weight (kg):</b> 12.840000	<b>Carton barcode:</b> 19344062014109
<b>Raw material:</b> Paper	<b>Lining/coating:</b> Aqueous	<b>Window material:</b> None
<b>Printing Type:</b> Offset	<b>Inks:</b> Food Contact Safe Inks	<b>Brim fill capacity (ml):</b> 296
<b>Dimensions top LxW (mm):</b> 90x90	<b>Dimensions base LxW (mm):</b> 54x54	<b>Product Depth:</b> 86
<b>Product weight (g):</b> 12.6	<b>Thickness:</b> 280+260gsm	<b>Use:</b> Hot & Wet Products
<b>Manufactured:</b> Taiwan	<b>Customise:</b> Print	<b>MOQ custom:</b> 100000
<b>Mould fees:</b> Yes - see custom packaging	<b>Environmental production certified:</b> None	<b>Quality product certified:</b> TBC
<b>Factory food safety certified:</b> BRC	<b>Corporate social accreditation:</b> BSCI	<b>Home compostable:</b> Certified to AS5810 Australian standards, Certified to NF T51-800 European standards
<b>Industrially compostable:</b> Certified to AS4736 Australian Standards, Certified to EN13432 European Standard	<b>Recyclable:</b> No	