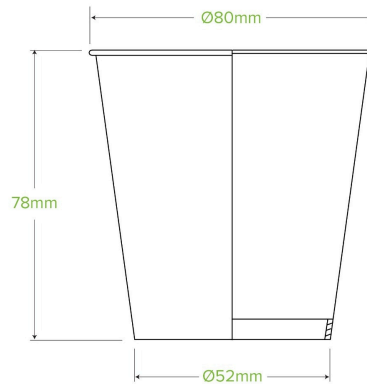


200ml / 6oz (80mm) Green Cold Paper BioCup BCC-6-G



FSC™ certified Green cold paper BioCups are lined inside and out with Ingeo™, a bioplastic made from plants, not oil – making them the perfect option for cold drinks. Certified industrially compostable (AS4736). Match with home compostable sugarcane lids or PLA-lined paper lids.

Carton quantity: 1000	Sleeves per carton: 20	Units per sleeve: 50
Carton Size LxWxH (cm): 40.5x32.5x41	Carton gross weight (kg): 6.500000	Raw material: Paper
Lining/coating: Bioplastic - Ingeo™ PLA	Window material: None	Printing Type: Flexo
Inks: Food Contact Safe Inks	Brim fill capacity (ml): 227	Dimensions top LxW (mm): 80
Dimensions base LxW (mm): 53	Product Depth: 78	Product weight (g): 6.43
Thickness: 230gsm	Use: Cold use only	Manufactured: China
Customise: None	MOQ custom: 25000	Mould fees: No
Environmental production certified: ISO 14001	Quality product certified: ISO 9001	Factory food safety certified: BRC
Corporate social accreditation: SMETA	Home compostable: No	Industrially compostable: Certified to AS4736 Australian Standards, Certified to EN13432 European Standard
Recyclable: No		