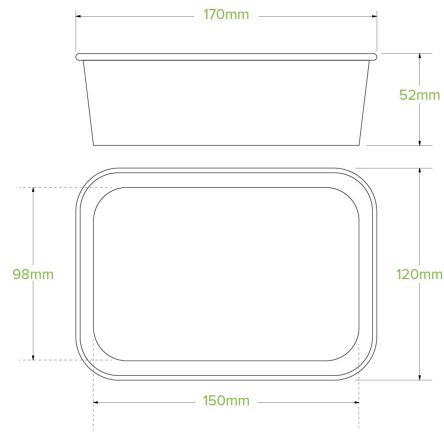


650ml Kraft BioBoard Takeaway Base BB-LB-650-N



650ml Natural BioBoard Rectangular Paper Containers are sustainably sourced and made from FSC™ certified paper board. They are lined with a waterbased, waterproof coating. These food containers are perfect for hot and greasy food.

| | | |
|---|--|---|
| Carton quantity: 300 | Sleeves per carton: 6 | Units per sleeve: 50 |
| Carton Size LxWxH (cm): 38x36x45.5 | Carton gross weight (kg): 6.000000 | Carton barcode: 19344062067662 |
| Raw material: Paper - FSC™ Mix certified paper | Lining/coating: Aqueous | Window material: None |
| Printing Type: Flexo | Inks: Food Contact Safe Inks - Soy or Water Based | Brim fill capacity (ml): 650 |
| Dimensions top LxW (mm): 173 | Dimensions base LxW (mm): 121 | Product Depth: 52 |
| Product weight (g): 16 | Thickness: 320gsm+26g | Use: Hot and cold |
| Manufactured: China | Customise: Print | MOQ custom: 30000 |
| Mould fees: Yes - see custom packaging | Environmental production certified: ISO 14001 | Quality product certified: ISO 9001 |
| Factory food safety certified: BRC | Corporate social accreditation: BSCI | Home compostable: Pending Certification to AS5810 Australian Standards, Pending Certification to NF T51-800 European Standards |
| Industrially compostable: No | Recyclable: No | |