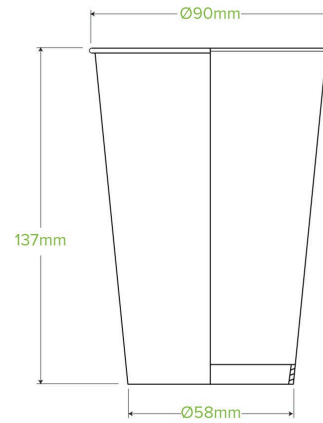


## 20 Pack - 16oz Cold Paper BioCup RT-BCC-16-5X20P-P



16oz paper cold cups are lined inside and out with Ingeo™, a bioplastic made from plants, not oil – making them the perfect option for cold drinks. BioCups are certified industrially compostable. These cold drink cups are packaged for retail sale and are shelf-ready. Each retail box contains 20 party cups and a carton contains 5 boxes.

<b>Carton quantity:</b> 100	<b>Sleeves per carton:</b> 5	<b>Units per sleeve:</b> 20
<b>Carton Size LxWxH (cm):</b> 49.5x10.5x31.5	<b>Carton gross weight (kg):</b> 3.000000	<b>Carton barcode:</b> 19344062065132
<b>Raw material:</b> Paper	<b>Lining/coating:</b> Bioplastic - Ingeo PLA	<b>Window material:</b> None
<b>Printing Type:</b> Offset	<b>Inks:</b> Food Contact Safe Inks	<b>Brim fill capacity (ml):</b> 510
<b>Dimensions base LxW (mm):</b> 58x58	<b>Product Depth:</b> 137	<b>Product weight (g):</b> 12.16
<b>Thickness:</b> 263gsm	<b>Use:</b> Hot and cold	<b>Manufactured:</b> China
<b>Customise:</b> Yes - Please Contact Our Team For More Information	<b>MOQ custom:</b> MOQ apply see custom packaging	<b>Mould fees:</b> Yes - see custom packaging
<b>Environmental production certified:</b> TBC	<b>Quality product certified:</b> TBC	<b>Factory food safety certified:</b> TBC
<b>Corporate social accreditation:</b> TBC	<b>Home compostable:</b> No	<b>Industrially compostable:</b> Certified to AS4736 Australian Standards, Certified to EN13432 European Standard
<b>Recyclable:</b> No		