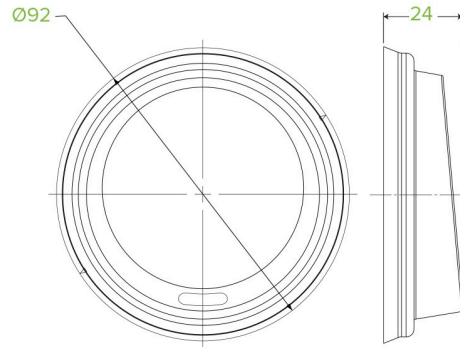


## 90mm Large Black PLA BioCup Lid BCL-12PLA-B



Our PLA black large cup lids are designed specifically for BioCups, providing a leak-free secure fit every time. These lids are made from Ingeo™ – an ingenious bioplastic made from plants, not oil. Certified industrially compostable. Fits our 90mm diameter BioCups.

<b>Carton quantity:</b> 1000	<b>Sleeves per carton:</b> 20	<b>Units per sleeve:</b> 50
<b>Carton Size LxWxH (cm):</b> 48x38.5x26	<b>Carton gross weight (kg):</b> 4.160000	<b>Carton barcode:</b> 19344062033643
<b>Raw material:</b> Bioplastic - Ingeo™ PLA	<b>Lining/coating:</b> Bioplastic - Ingeo™ PLA	<b>Window material:</b> None
<b>Printing Type:</b> None	<b>Inks:</b> None	<b>Dimensions top LxW (mm):</b> 90
<b>Dimensions base LxW (mm):</b> 83x83	<b>Product Depth:</b> 24	<b>Product weight (g):</b> 3.65
<b>Use:</b> Hot and cold	<b>Manufactured:</b> Taiwan	<b>Customise:</b> None
<b>MOQ custom:</b> N/A	<b>Mould fees:</b> No	<b>Environmental production certified:</b> ISO 14001
<b>Quality product certified:</b> ISO 9001	<b>Factory food safety certified:</b> BRC	<b>Corporate social accreditation:</b> SMETA
<b>Home compostable:</b> No	<b>Industrially compostable:</b> Certified to AS4736 Australian Standards, Certified to EN13432 European Standard	<b>Recyclable:</b> No