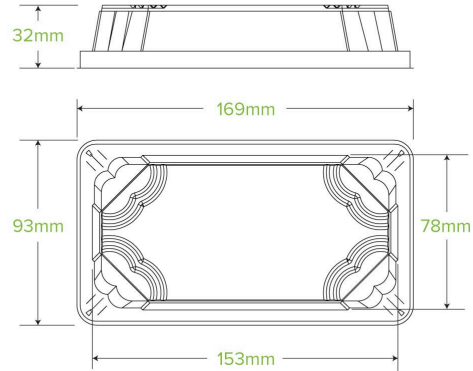


Small PLA Sushi Tray Lid B-STL-SMALL



Our sushi trays are an eco-friendly alternative to plastic sushi trays. These small bioplastic lids are industrially compostable. Note: cold use only.

| | | |
|---|---|--|
| Carton quantity: 600 | Sleeves per carton: 12 | Units per sleeve: 50 |
| Carton Size LxWxH (cm): 59.5x48.5x19 | Carton gross weight (kg): 3.490000 | Carton barcode: 19344062044618 |
| Raw material: Bioplastic - Ingeo™ PLA | Lining/coating: None | Window material: None |
| Printing Type: None | Inks: None | Dimensions top LxW (mm): 169x93 |
| Dimensions base LxW (mm): 169x93 | Product Depth: 32 | Product weight (g): 4.9 |
| Use: Cold use only | Manufactured: Taiwan | Customise: None |
| MOQ custom: 1000000 | Mould fees: Yes - see custom packaging | Environmental production certified: ISO 14001 |
| Factory food safety certified: ISO 22000 | Corporate social accreditation: BSCI | Home compostable: No |
| Industrially compostable: Certified to AS4736 Australian Standards, Certified to EN13432 European Standard | Recyclable: No | |