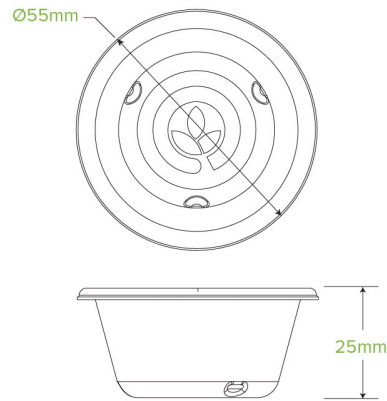


30ml Natural Plant Fibre Sauce BioCup B-SC-30-N



Our plastic-free sample cups are made from rapidly renewable sugarcane pulp, a by-product of the sugar refining industry. This sustainable cup fits our 30ml natural sugarcane sauce lid (B-SCL-30-N).

Carton quantity: 1000	Sleeves per carton: 8	Units per sleeve: 125
Carton Size LxWxH (cm): 47x23x12.5	Carton gross weight (kg): 3.300000	Carton barcode: 19344062067136
Raw material: Plant Fibre With PFAS	Lining/coating: None	Window material: None
Printing Type: None	Inks: None	Brim fill capacity (ml): 35
Dimensions top LxW (mm): 54	Dimensions base LxW (mm): 37	Product Depth: 23
Product weight (g): 3	Thickness: 0.6mm	Use: Hot, Cold, Wet & Dry Products
Manufactured: China	Customise: Yes - Please Contact Our Team For More Information	MOQ custom: MOQ apply see custom packaging
Mould fees: Yes - see custom packaging	Environmental production certified: ISO 14001	Quality product certified: ISO 9001
Factory food safety certified: BRC	Corporate social accreditation: BSCI	Home compostable: No
Industrially compostable: No	Recyclable: No	