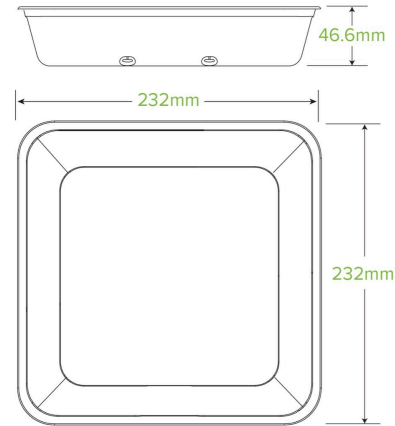


1,750ml Large Natural Plant Fibre Takeaway Base B-LB-0C-N-LARGE



Our compostable food containers are made from rapidly renewable sugarcane pulp, a by-product of the sugar refining industry. This 1,750ml food container is an eco-friendly option to plastic takeaway containers.

Carton quantity: 300	Sleeves per carton: 2	Units per sleeve: 150
Carton Size LxWxH (cm): 48x41x26	Carton gross weight (kg): 11.200000	Carton barcode: 19344062066122
Raw material: Plant Fibre With PFAS	Lining/coating: None	Window material: None
Printing Type: None	Inks: None	Brim fill capacity (ml): 1760
Dimensions top LxW (mm): 232	Dimensions base LxW (mm): 195	Product Depth: 45
Product weight (g): 34	Thickness: 0.6mm	Use: Hot, Cold, Wet & Dry Products
Manufactured: China	Customise: Yes - Please Contact Our Team For More Information	MOQ custom: MOQ apply see custom packaging
Mould fees: Yes - see custom packaging	Environmental production certified: ISO 14001	Quality product certified: ISO 9001
Factory food safety certified: BRC	Corporate social accreditation: BSCI	Home compostable: No
Industrially compostable: No	Recyclable: No	