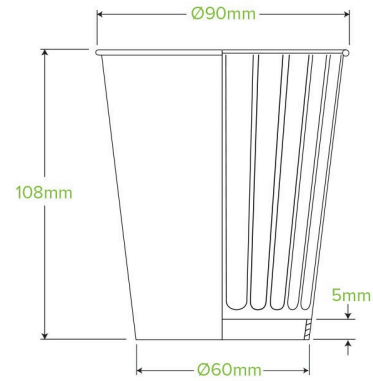


## 390ml / 12oz (90mm) Stone Double Wall Biocup ABC-12DW



12oz Aqueous Double Wall BioCups are manufactured using a unique water-based dispersion coating certified home compostable to Australian standards (AS5810). These cups are food safe, odorless, and can be disposed of right in your backyard compost bin!

|   |   |   |
|---|---|---|
| <b>Carton quantity:</b> 1000  | <b>Sleeves per carton:</b> 25                   | <b>Units per sleeve:</b> 40   |
| <b>Carton Size LxWxH (cm):</b> 46.5x46.5x59.5   | <b>Carton gross weight (kg):</b> 18.600000      | <b>Carton barcode:</b> 19344062063886   |
| <b>Raw material:</b> Paper  | <b>Lining/coating:</b> Aqueous                  | <b>Window material:</b> None  |
| <b>Printing Type:</b> Offset  | <b>Inks:</b> Food Contact Safe Inks             | <b>Brim fill capacity (ml):</b> 395   |
| <b>Dimensions top LxW (mm):</b> 90x90   | <b>Dimensions base LxW (mm):</b> 60x60          | <b>Product Depth:</b> 108   |
| <b>Product weight (g):</b> 17.3   | <b>Thickness:</b> 300+260gsm                    | <b>Use:</b> Hot & Wet Products  |
| <b>Manufactured:</b> Taiwan   | <b>Customise:</b> Print                         | <b>MOQ custom:</b> 100000   |
| <b>Mould fees:</b> Yes - see custom packaging   | <b>Environmental production certified:</b> None | <b>Quality product certified:</b> TBC   |
| <b>Factory food safety certified:</b> BRC   | <b>Corporate social accreditation:</b> BSCI     | <b>Home compostable:</b> Certified to AS5810 Australian standards, Certified to NF T51-800 European standards |
| <b>Industrially compostable:</b> Certified to AS4736 Australian Standards, Certified to EN13432 European Standard | <b>Recyclable:</b> No                           |   |