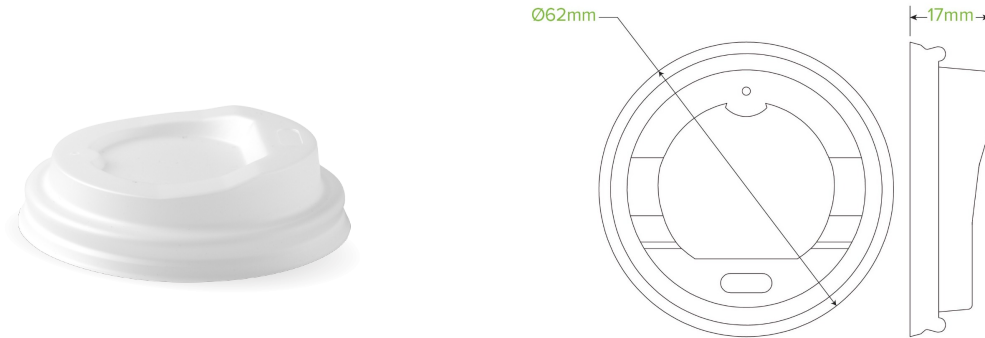


62mm / 4oz Opaque PLA BioCup Lid BCL-4PLA-C



Our opaque PLA 4oz cup lids are designed specifically for BioCups, providing a leak-free secure fit every time. These lids are made from Ingeo™ – an ingenious bioplastic made from plants, not oil. Certified industrially compostable. This lid fits our small 4oz cups

Carton quantity: 1000	Sleeves per carton: 20	Units per sleeve: 50
Carton Size LxWxH (cm): 34x27x23.5	Carton gross weight (kg): 11.000000	Carton barcode: 19344062061509
Raw material: Bioplastic - Ingeo™ PLA	Lining/coating: Bioplastic - Ingeo™ PLA	Window material: None
Printing Type: None	Inks: None	Dimensions top LxW (mm): 62
Dimensions base LxW (mm): 65x65	Product Depth: 16	Product weight (g): 1.8
Thickness: N/A	Use: Hot and cold	Manufactured: China
Customise: None	MOQ custom: N/A	Mould fees: No
Environmental production certified: ISO 14001	Quality product certified: ISO 9001	Factory food safety certified: BRC
Corporate social accreditation: SMETA	Home compostable: No	Industrially compostable: Certified to AS4736 Australian Standards, Certified to EN13432 European Standard
Recyclable: No		